

SIEMENS



iQ 100

Built-under double multi-function oven HB43NB520B stainless steel

Design

- Metal fascia
- Standard control dials
- White display with blue indicator lights
- Push buttons
- Bar handle
- Black handle fixing blocks
- Separate fascia panel
- Flush fitting door
- Drop down door

Main lower oven

Key features

- Safety lock

Features

- Catalytic back, roof and side liners
- Electronic clock timer
- Automatic on/off programmer
- 2 retractable control dials
- 1 interior light
- Smooth enamelled oven interior
- 3 shelf positions
- Full glass inner door
- Heat reflective glass
- Easy fit shelf support rails

Programmes/functions

- 5 main cooking functions
 - 3D hot air, full width surface grill, hot air grilling, conventional, bottom heat
- Fast heating up

Performance/technical information

- Oven capacity 50 litres
- A energy class

Secondary top oven

Features

- Catalytic back, roof and side liners
- 2 retractable control dials
- 1 interior light
- Smooth enamelled oven interior
- 2 shelf positions
- Full glass inner door
- Heat reflective glass
- Easy fit shelf support rails

Programmes/functions

- 3 main functions: full width surface grill, centre surface grill, conventional

Performance/technical information

Included accessories

2 x combination grid, 1 x universal pan,
1 x insert grid

Optional accessories

Alternative colors available

HB43NB620B:Black

Technical Data

Characteristics

Color / Material Front : Stainless steel
Built-in / Free-standing : Built-in
Integrated Cleaning system - cavity 1 :
catalytic all sides, Catalytic partial, easy
to clean enamel

Dimensions of the product (mm) : 717 x
595 x 550

Dimensions of the packed product
(HxWxD) (mm) : 800 x 660 x 700

Control Panel Material : Stainless steel

Door Material : Glass

Net weight (kg) : 51.00

Usable volume of cavity (l) : 33

Cooking method first cavity :

Conventional heat, Full width variable

grill, Half width variable grill

First cavity material : Enamel

Temperature control - cavity 1 :
mechanical

Number of interior lights : 1

Approval certificates : CE, VDE

Consumption and connection features

Energy consumption conventional
(kWh) - cavity 1 : 0.79

Electrical connection rating (W) : 4900

Current (A) : 20

Voltage (V) : 240

Frequency (Hz) : 50

Siemens
HB43NB520B
Built-in/-under el. double oven/cooker

Predecessor:

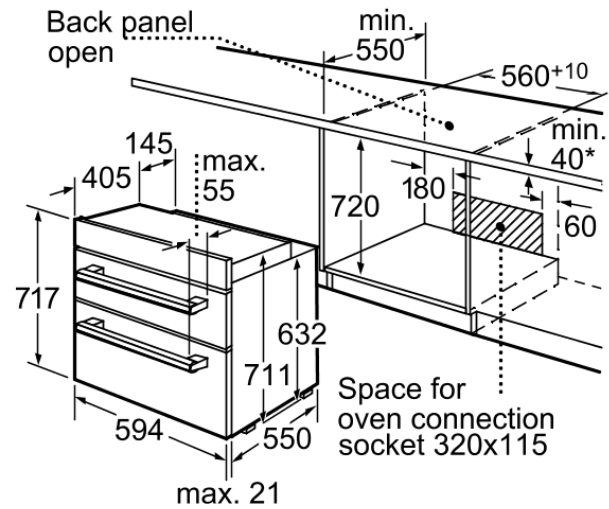
Successor:

EAN code:
4242003436820

sales programme:

SIEMENS

iQ 100
Built-under double multi-function oven
HB43NB520B stainless steel



* For installation under an induction hob
min. 50 mm
measurements in mm