

SIEMENS



Extractor hood with telescopic canopy LI46631GB silver metallic lacquer

Design

- 594 mm wide
- Slider switch control
- Steel finish profile/handle
- For installation into a 60cm wide cupboard

Key features

- Grease filter saturation indicator
- 2 x 20W halogen lights
- 2 x metal grease filter cassettes
- Double filter system

Performance/technical information

- Suitable for ducted and re-circulating operation
- Maximum extraction rate 450 m³/h
- Noise level at maximum normal setting: 47 dB (A); equivalent to 59 dB (A) re 1pW according to EN 60704-2-13
- 3 x power levels plus intensive setting

Included accessories

1 x handle strip

Optional accessories

- LZ45500 Recirculating kit
- LZ46000 Lowering frame

Alternative colors available

Technical Data

Characteristics

Typology : Telescopic
Approval certificates : CE, VDE
Length electrical supply cord (m) : 130.0
Required niche size for installation (HxWxD) : 435 x x 273
Dimensions of the product, with chimney (if exists) (mm) : 465 x 594 x 273
Net weight (kg) : 13.00
Type of control : electronic
Number of speed settings : 3-stage + intensive
Maximum output air extraction (m³/h) : 450
Boost position output recirculating (m³/h) : 430
Maximum output recirculating air (m³/h) : 330
Boost position air extraction (m³/h) : 700
Number of lights (Stck) : 2
Diameter of air outlet (mm) : 150 / 120
Grease filter material : Metal grease filter

Consumption and connection features

Connection Rating (W) : 240
Voltage (V) : 220-240
Frequency (Hz) : 50
Plug type : GB plug
Installation typology : Built-in into the cabinet

Siemens
LI46631GB
Slimline cooker hood

Predecessor:

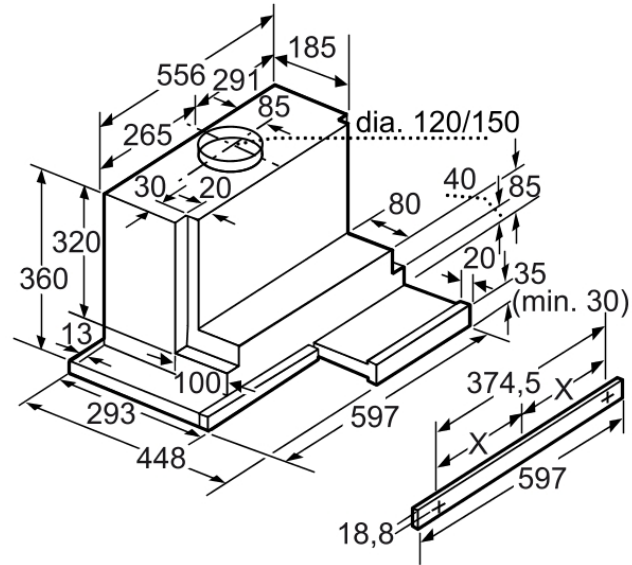
Successor:

EAN code:
4242003394946

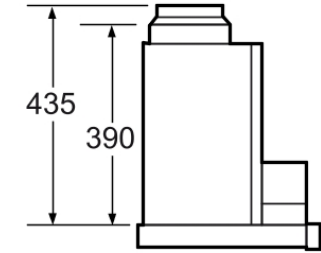
sales programme:

SIEMENS

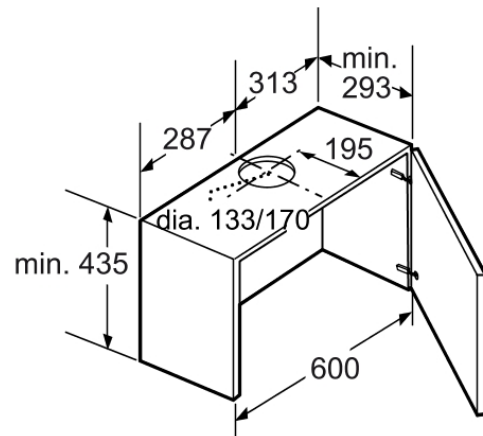
Extractor hood with telescopic canopy
LI46631GB silver metallic lacquer



Measurements in mm



Measurements in mm



Measurements in mm