

SIEMENS



Siemens
HB13AB550B
Electric built-in oven

Predecessor:

Successor:

EAN code:
4242003511275

sales programme:

iQ 300

**Built-in single 3D hot air oven
HB13AB550B stainless steel**

Design

- Day/night glass and metal fascia
- White display with blue indicator lights
- Control dials with metal cap
- Bar handle
- Steel handle fixing blocks
- Separate fascia panel
- Full width door with side strip design
- Push buttons
- 2 retractable control dials
- Drop down door

Key features

- Safety lock

Features

- Catalytic roof and back liners
- Electronic clock timer
- Automatic on/off programmer
- 1 interior light
- Smooth enamelled oven interior
- Heat reflective glass
- 5 shelf positions
- Full glass inner door
- Easy fit shelf support rails

Programmes/functions

- 4 main functions:
3D hot air, defrosting, full width surface grill, hot air grilling

Performance/technical information

- Oven capacity: 58 litres
- A energy class

Standard accessories

- Full width enamelled pan
- 1 wire pan insert
- 2 wire shelves
- Cook book

Optional accessory

- 3 level telescopic rail set - HZ338356

Included accessories

2 x combination grid, 1 x universal pan,
1 x insert grid

Optional accessories

- HZ338356 3 level telescopic shelf rails, full ext
- HZ333000 Professional pan

Alternative colors available

Technical Data

Characteristics

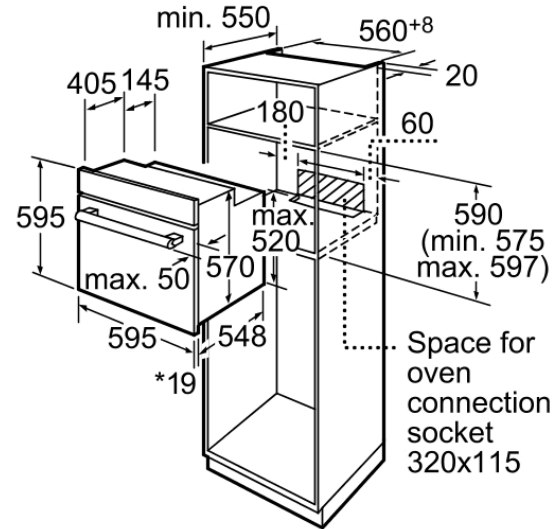
Color / Material Front : Stainless steel
Built-in / Free-standing : Built-in
Integrated Cleaning system - cavity 1 : No
Required niche size for installation (HxWxD) : 575-597 x 560 x 550
Dimensions of the product (mm) : 595 x 595 x 548
Dimensions of the packed product (HxWxD) (mm) : 670 x 670 x 680
Control Panel Material : Glass, Stainless steel
Door Material : Glass
Net weight (kg) : 33.00
Usable volume of cavity (l) : 67
Cooking method first cavity : Defrost, Full width variable grill, Hot Air, Hot air grilling
First cavity material : Enamel
Temperature control - cavity 1 : mechanical
Number of interior lights : 1
Approval certificates : CE, VDE
Length electrical supply cord (m) : 150.0

Consumption and connection features

Energy consumption forced air convection (kWh) - cavity 1 : 0.79
Electrical connection rating (W) : 2900
Current (A) : 16
Voltage (V) : 220-240
Frequency (Hz) : 60; 50
Plug type : No plug

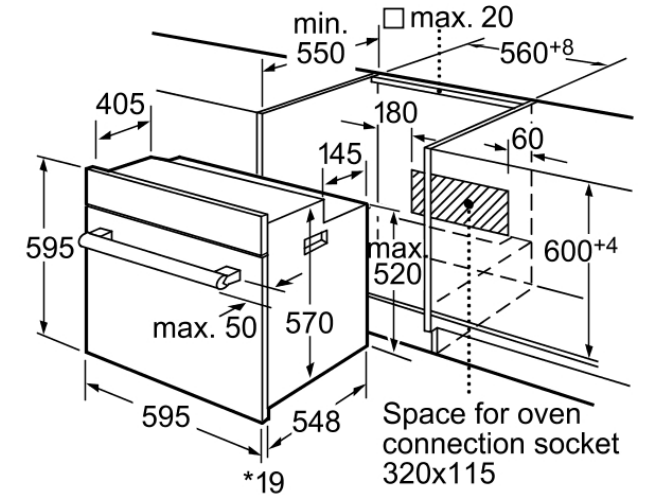
SIEMENS

iQ 300
Built-in single 3D hot air oven
HB13AB550B stainless steel



* 20 mm for metal fascias

Measurements in mm



* 20 mm for metal fascias

Measurements in mm