



A

U14M42N3GB Double oven Stainless steel

Top and main oven features

Features

- Silver display EasyClock
- QuickConnect shelf supports
- Framed glass inner doors
- Double glazed doors
- Heat reflective glass

Design

- Bevelled metal fascia
- Symmetrical design
- Bevelled oval controls
- Retractable controls
- 'U-form' door design
- Curved bevelled bar handles

Standard accessories

- 1 full width enamel tray
- 1 high/low wire shelf
- 2 anti-tip flat wire shelves

Optional accessories

- Baking stone
- 1/3 GN Ceramic dish, 38mm deep Z1665X0
- 2/3 GN Ceramic dish, 38mm deep Z1685X0

Top oven additional features

Features

- 1 x 25 Watt lamp
- 2 shelf positions
- TitanEnamel
- CeramiClean® liners (back, roof)

Performance/technical information

- 35 litre capacity
- Energy efficiency rating A

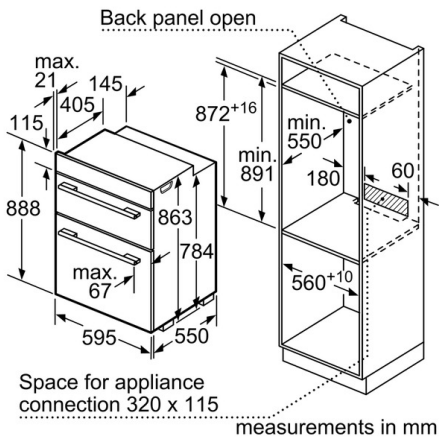
Main oven additional features

Features

- Automatic on/off programmer
- 1 x 40 Watt lamp
- 4 shelf positions
- TitanEnamel
- CeramiClean® liners (back, roof)

Performance/technical information

- 67 litre capacity
- Total connected load 4.9KW



Characteristics

Color / Material Front : Stainless steel
 Built-in / Free-standing : Built-in
 Dimensions of the product (mm) : 888 x 594 x 550
 Control Panel Material : Stainless steel top
 Door Material : Glass
 Net weight (kg) : 53.0
 Usable volume of cavity (l) : 35
 Cooking method first cavity : Conventional heat, Full width grill
 First cavity material : Enamel
 Temperature control - cavity 1 : mechanical
 Number of interior lights : 1
 Approval certificates : CE, VDE

Consumption and connection features

Energy efficiency class (2010/30/EC) : B
 Energy consumption per cycle conventional (2010/30/EC) : 0.79
 Energy efficiency class (2010/30/EC) - cavity 2 : A
 Energy consumption per cycle conventional - cavity 2 (2010/30/EC) : 0.96
 Energy consumption per cycle forced air convection - cavity 2 (2010/30/EC) : 0.84
 Energy efficiency index (2010/30/EC) : 112.9
 Energy efficiency index cavity 2 (2010/30/EC) : 101.2
 Electrical connection rating (W) : 4900
 Current (A) : 20
 Voltage (V) : 240
 Frequency (Hz) : 50
 Plug type : no plug
 2015-03-27

Alternative colors available

U14M42N3GB:Stainless steel
 U14M42S3GB:Black
 U14M42W3GB:White

Optional accessories

Z1240X2 ACCESSORIES COOKER/OVEN
 Z1262X0 glasspan
 Z1272X0 ACCESSORIES COOKER/OVEN
 Z1332X0 Accessory
 Z1342X0 Accessory
 Z1343X0 Accessory
 Z1512X0 Accessory
 Z1701X2 ACCESSORIES COOKER/OVEN

Included accessories

1 x universal pan
 2 x baking and roasting shelf cranked
 1 x insert grid

EAN code

4242004156918

U14M42N3GB Technical Data