



# BOSCH



Bosch  
KSV36AW41G  
Free-standing refrigerator

Predecessor:  
KSV36AW40G

Successor:

EAN code:  
4242002739205  
sales programme:

### Upright fridge KSV36AW41G Logixx

#### Performance and Consumption

- Energy efficiency class: A+++
- Annual energy consumption 75 kWh (per year).
- Total net capacity: 346 litres
- Noise level dB(A) re 1 pW: 38

#### Design features

- White door and white side panels
- aluminium, Vertical door handle
- Left hinged, door reversible
- Bright interior LED fridge light
- Electronic LED display
- 1 compressor

#### Food freshness system

- Active Cooling - quick and even temperature distribution on all shelf levels (interior fridge fan)

#### Key features - Fridge section

- Bright interior LED fridge light
- Pull out vegetable container, Hydrofresh drawer with humidity control to prevent food from drying out with rippled base for improved air circulation
- flexShelf - easy to pull out if required, space saving if not in use
- Interior design with metal applications
- 7 safety glass shelves, of which 5 are height adjustable
- 2 large door shelf, 2 small door shelf
- 1 dairy compartment in door
- Automatic defrost fridge

#### Functions

- SuperCool function with automatic deactivation
- optical and acoustical door open warning signal

#### Dimension and installation

- Height adjustable feet in the front
- Climate class SN-T (suitable for ambient temperatures between 10 to 43°C)
- 220 - 240 V
- Dimensions: 186 cm H x 60 cm W x 65 cm D

#### Included accessories

1 x egg tray

#### Optional accessories

#### Alternative colors available

#### Technical Data

##### Characteristics

Built-in / Free-standing : Free-standing  
 Door panel options : Not possible  
 Height (mm) : 1860  
 Width of the product (mm) : 600  
 Depth of the product : 650  
 Net weight (kg) : 72.000  
 Connection Rating (W) : 90  
 Current (A) : 10  
 Door hinge : Left reversible  
 Voltage (V) : 220-240  
 Frequency (Hz) : 50  
 Approval certificates : VDE  
 Length electrical supply cord (m) : 230.0  
 Other separate compartment with other temperature Net capacity (l) : 0  
 Number of compressors : 1  
 Number of independent cooling systems : 1  
 Interior ventilator : Yes  
 Reversible Door Hinge : Yes  
 Number of Adjustable Shelves in fridge compartment (Stck) : 5  
 Shelves for Bottles : Yes

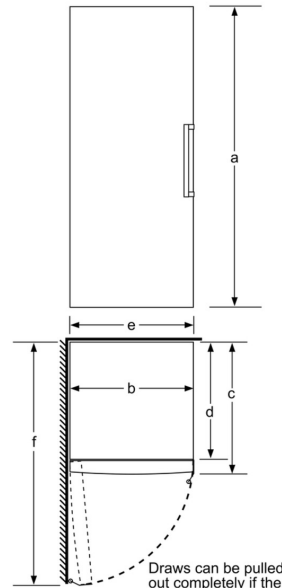
##### Consumption and connection features

Brand : Bosch  
 Product name / Commercial code : KSV36AW41G  
 Product category : Refrigerator  
 Energy efficiency class - NEW (2010/30/EC) : A+++  
 Energy consumption annual (kWh/annum) - NEW (2010/30/EC) : 75  
 Refrigerator Net capacity (l) - NEW (2010/30/EC) : 346  
 Freezer Net capacity (l) - NEW (2010/30/EC) : 0  
 Frost free system : No  
 Noise level (dB(A) re 1 pW) : 38  
 Climate class : SN-T  
 Installation typology : N/A

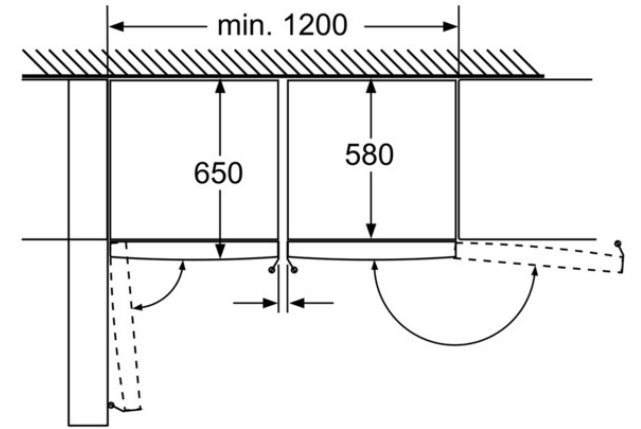


# BOSCH

**Upright fridge**  
**KSV36AW41G**  
**Logixx**



Draws can be pulled out completely if the appliance is placed directly on a wall.



Drawers can be pulled out completely if the appliance is placed directly on a wall.

measurements in mm

	a	b	c	d	e	f
KSW36, GSD36	187					
KSV36, KSF36, GSN36, GSV36	186					
KSV33, GSN33, GSV33	176	60	65	58	60	119.5
KSV29, GSN29, GSV29	161					
GSV24	146					
GSN51	161					
GSN54	176	70	78	70	70	142
GSN58	191					

- a Height
- b Width
- c Depth with closed door w/o handle and w/o distance part
- d Depth of cabinet w/o distance part
- e Width with open door w/o handle
- f Depth with open door w/o handle w/o distance part

measurements in cm