



Siemens
KS36WPI30
Free-standing refrigerator

Predecessor:

Successor:

EAN code:
4242003613412

sales programme:
GPM

Upright fridge KS36WPI30

Performance and Consumption

- Energy efficiency class: A++
- Annual energy consumption 112 kWh (per year).
- Total net capacity: 346 litres
- Noise level dB(A) re 1 pW: 39

Design features

- chilled water with LED light, flush with door, tap connection with Aquastop®, hose 2 m, 3/4"
- Aquastop® with lifetime warranty
- Stainless steel fingerprint free door and chrome inox metallic side panels
- stainless steel, vertical door handle
- Left hinged door
- Bright interior LED fridge light
- Electronic LED display
- Removable magnetic door seals - easy to clean
- 1 compressor/1 cooling circuit

Food freshness system

- vitaControl - constant temperature by intelligent sensor technology
- 1 humidity controlled vegetable/salad drawer on telescopic rails, hydroFresh box with rippled base for improved air circulation

Key features - Fridge section

- Indoor chilled water
- chilled water with LED light, flush with door, tap connection with Aquastop®, hose 2 m, 3/4"
- Aquastop® with lifetime warranty
- 5 door bins, including 1 with easyLift door tray and 1 dairy compartment in door
- 2 large door shelf, 2 small door shelf
- hydroFresh box - keeps fruit and vegetables fresh for twice as long
- flexShelf - easy to pull down if required, space saving if not in use
- superCool function with automatic deactivation
- Active cooling - quick and even temperature distribution on all shelf levels (interior fan)
- Interior design with metal applications
- 7 safety glass shelves, of which 5 are height adjustable
- Automatic defrost in fridge section

Functions

- superCool function with automatic deactivation
- acoustical door open warning signal

Dimension and installation

- Transportation handles
- Height adjustable feet in the front
- Climate class SN-T (suitable for ambient temperatures between 10 to 43°C)
- 220 - 240 V
- Dimensions: 187 cm H x 60 cm W x 65 cm D

Included accessories

1 x egg tray

Optional accessories

Alternative colors available

Technical Data

Characteristics

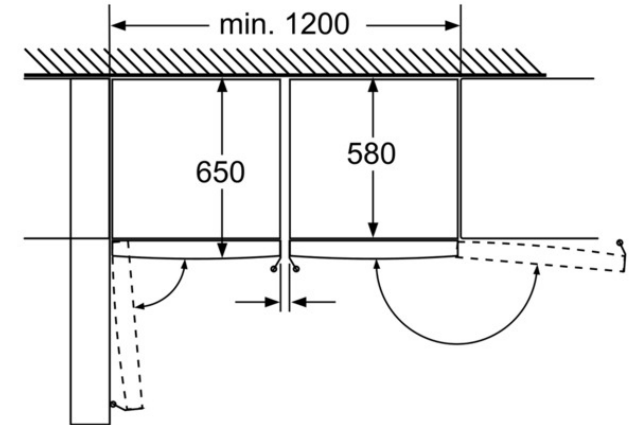
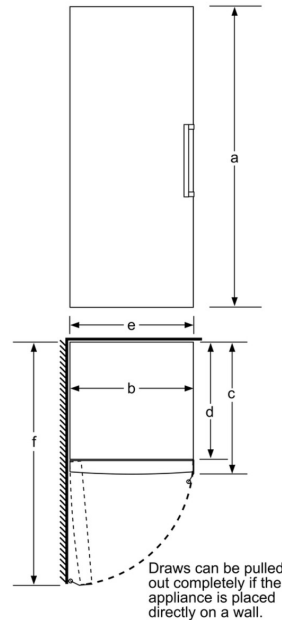
Built-in / Free-standing : Free-standing
 Door panel options : Not possible
 Height (mm) : 1870
 Width of the product (mm) : 600
 Depth of the product : 650
 Net weight (kg) : 75.000
 Connection Rating (W) : 90
 Current (A) : 10
 Door hinge : Left
 Voltage (V) : 220-240
 Frequency (Hz) : 50
 Approval certificates : VDE
 Length electrical supply cord (m) : 230.0
 Other separate compartment with other temperature Net capacity (l) : 0
 Number of compressors : 1
 Number of independent cooling systems : 1
 Interior ventilator : Yes
 Reversible Door Hinge : No
 Number of Adjustable Shelves in fridge compartment (Stck) : 5
 Shelves for Bottles : Yes

Consumption and connection features

Brand : Siemens
 Product name / Commercial code : KS36WPI30
 Product category : Refrigerator
 Energy efficiency class - NEW (2010/30/EC) : A++
 Energy consumption annual (kWh/annum) - NEW (2010/30/EC) : 112
 Refrigerator Net capacity (l) - NEW (2010/30/EC) : 346
 Freezer Net capacity (l) - NEW (2010/30/EC) : 0
 Frost free system : No
 Noise level (dB(A) re 1 pW) : 39
 Climate class : SN-T
 Installation typology : N/A

SIEMENS

Upright fridge
KS36WPI30



Drawers can be pulled out completely if the appliance is placed directly on a wall.

measurements in mm

| | a | b | c | d | e | f |
|----------------------------|-----|----|----|----|----|-------|
| KSW36, GSD36 | 187 | | | | | |
| KSV36, KSF36, GSN36, GSV36 | 186 | | | | | |
| KSV33, GSN33, GSV33 | 176 | 60 | 65 | 58 | 60 | 119.5 |
| KSV29, GSN29, GSV29 | 161 | | | | | |
| GSV24 | 146 | | | | | |
| GSN51 | 161 | | | | | |
| GSN54 | 176 | 70 | 78 | 70 | 70 | 142 |
| GSN58 | 191 | | | | | |

- a Height
- b Width
- c Depth with closed door w/o handle and w/o distance part
- d Depth of cabinet w/o distance part
- e Width with open door w/o handle
- f Depth with open door w/o handle w/o distance part

measurements in cm