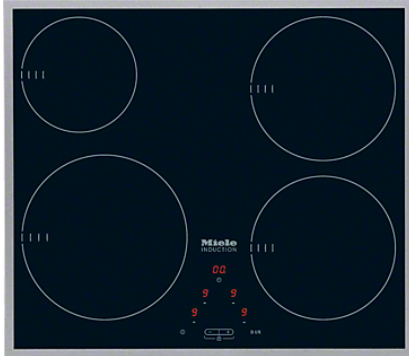


KM 6115

Induction hob with onset controls

with 4 cooking zones for maximum convenience at an attractive entry level price.



- Simple operation - EasyControl Plus including timer
- Attractive design - 574mm wide with all-round frame
- Versatile - 4 cooking zones
- Shortest heating-up times - TwinBooster
- Food always cooked to perfection - keeping warm function

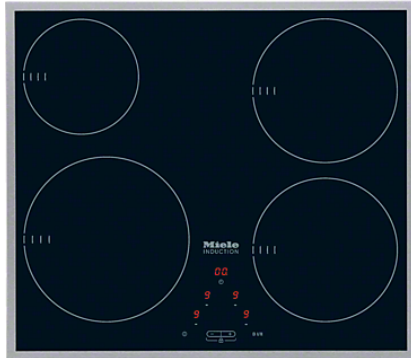
EAN: 4002514833873 / material number: 07717790

Heating type	
Heating type	Induction
Construction type	
Independent of cooker	•
Design	
Elegant glass ceramic surface	•
Ceramic surface colour	Black
Print design	Basalt grey decor
Stainless-steel frame	•
Cooking zone details	
Number of cooking zones	4
Cooking zone	
Position	front left
Type	Dual-circuit ring
Size in mm	Ø 160-230
Max. rating in W	2300
Max. Booster power rating in W	3000
Max. TwinBooster power rating in W	3700
Position	rear left
Type	Dual-circuit ring
Size in mm	Ø 100-160
Max. rating in W	1400
Max. Booster power rating in W	2200
Position	rear right
Type	Dual-circuit ring
Size in mm	140-200 mm
Max. rating in W	1850
Max. Booster power rating in W	3000
Position	front right
Type	Dual-circuit ring
Size in mm	Ø 140-200
Max. rating in W	1850
Max. Booster power rating in W	3000
User convenience	
Operation via sensor controls	EasyControl II
Display colour	Red
Pan and pan size recognition	•
Minute minder	•
Safety switch-off	•
Auto heat-up	•
Keeping warm	•
Individual setting options (e.g. buzzers)	•
Cleaning convenience	
Easy to clean ceramic glass	•

KM 6115

Induction hob with onset controls

with 4 cooking zones for maximum convenience at an attractive entry level price.

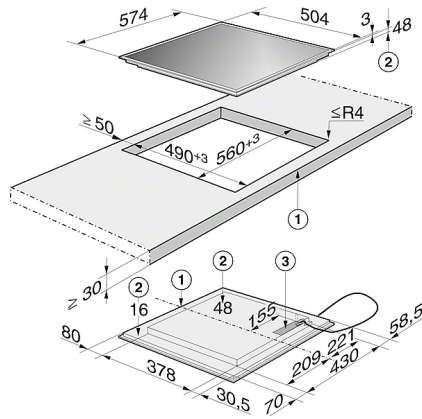
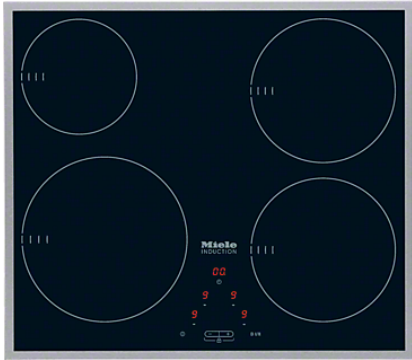


Safety	
Safety switch-off	•
Lock function	•
System lock	•
Integrated cooling fan	•
Overheating protection	•
Residual heat indicator	•
Technical data	
Dimensions in mm (width)	574
Dimensions in mm (height)	51
Dimensions in mm (depth)	504
Casing height incl. connection box in mm	48
Cutout dimensions in mm (width) with surface-mounted installation	560
Cutout dimensions in mm (depth) with surface-mounted installation	490
Weight in kg	10
Total rated load in kW	7.4
Voltage in V	230
Connection cable length in m	1.4
Standard accessories	
Mains cable	•

KM 6115

Induction hob with onset controls

with 4 cooking zones for maximum convenience at an attractive entry level price.



KM 6115 (Installation drawing)

1. Front
2. Building-in depth
3. Mains connection box, mains connection cable, L = 1440 mm loose insert