

KM 2010

Gas hob
with 4 burners



- Simple controls -single-handed operation via rotary dial control
- Professional design - 650mm wide stainless steel trough
- Versatile - 4 burners
- Extremely safe - GasStop function
- Particularly high-quality - enamelled cast-iron pot rests

EAN: 4002514414041 / material number: 07113300

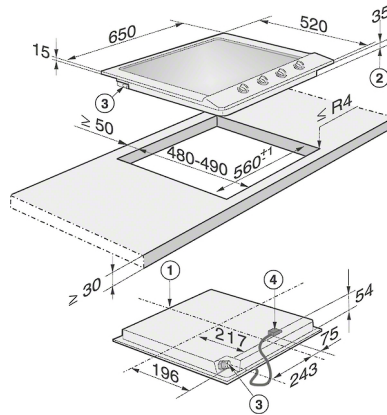
Heating type	
Heating type	Gas
Construction type	
Independent of cooker	•
Design	
Stainless steel trough	•
Cast iron pot rests (matt black enamelled)	•
Cooking zone details	
Number of cooking zones	4
Cooking zone	
Position	front left
Type	High-speed burner
Max. rating in W	2600
Position	rear left
Type	Economy burner
Max. rating in W	1000
Position	rear right
Type	Standard burner
Max. rating in W	1750
Position	front right
Type	Standard burner
Max. rating in W	1750
User convenience	
Operation via knobs	•
Electronic ignition with single-hand operation	•
Cleaning convenience	
PerfectClean burner	•
Safety	
GasStop	•
Technical data	
Dimensions in mm (width)	650
Dimensions in mm (height)	90
Dimensions in mm (depth)	520
Casing height incl. connection box in mm	35
Cutout dimensions in mm (width) with surface-mounted installation	560
Cutout dimensions in mm (depth) with surface-mounted installation	480
Weight in kg	13
Total rated load in kW	7.1
Voltage in V	230-240
Connection cable length in m	2.0
Standard accessories	
Jets for natural gas	•
Jets for liquid gas	•

more information:
<http://www.miele.co.uk/domestic>

For further information please see next page...

KM 2010

Gas hob
with 4 burners



KM2010G (Installation drawing)

1. Front
2. Building-in depth
3. Gas connection R 1/2 - ISO 7-1 (DIN EN 10226)
4. Mains connection box with mains connection cable, L = 2000 mm