

Serie | 6 Ovens

Classixx

Built-in single multi-function oven HBA23B150B brushed steel



The built-in oven that assists with its cleaning: you have to clean less thanks to reduced soiling during the cooking process.

- EcoClean liners absorb and break down dirt and grime so less cleaning is required from you.
- Our unique 3D Hotair system evenly heats all 3 cooking levels for even cooking results, you don't even have to turn the food.
- Energy efficiency A (-20%) is 20% more efficient than A rated models without compromising on results.

Technical Data

Color / Material Front :	Stainless steel
Construction type :	Built-in
Required niche size for installation (HxWxD) :	575-597 x 560 x 550
Dimensions of the product (mm) :	595 x 595 x 548
Control Panel Material :	Stainless steel
Door Material :	Glass
Net weight (kg) :	36.0
Usable volume of cavity (l) :	67
Cooking method first cavity :	Bottom heat, Conventional heat, Full width variable grill, Hot Air, Hot air grilling
First cavity material :	Enamel
Temperature control - cavity 1 :	mechanical
Number of interior lights :	1
Approval certificates :	CE, VDE
Length of electrical supply cord (cm) :	150
Number of cavities (2010/30/EC) :	1
Energy efficiency class (2010/30/EC) :	A
Energy consumption per cycle conventional (2010/30/EC) :	0.93
Energy consumption per cycle forced air convection (2010/30/EC) :	0.84
Energy efficiency index (2010/30/EC) :	101.2
Electrical connection rating (W) :	3500
Current (A) :	16
Voltage (V) :	220-240
Frequency (Hz) :	50; 60
Plug type :	no plug

Included accessories

- 2 x combination grid
- 1 x universal pan
- 1 x insert grid



Optional accessories

- HEZ338357 : 3 level telescopic shelf rails,full ext.

Serie | 6 Ovens

Classixx

Built-in single multi-function oven HBA23B150B brushed steel

The built-in oven that assists with its cleaning: you have to clean less thanks to reduced soiling during the cooking process.

Design

- Control panel height 11.5 cm
- Single display window
- Standard control dials
- Push buttons
- Straight bar handle with steel handle fixing blocks
- Horizontal strip door design
- Drop down door

Features

- Electronic clock timer
- Automatic on/off programmer
- 1 interior light
- Control panel lock
- Smooth enamelled oven interior
- Easy fit shelf support rails
- 5 shelf positions
- EcoClean® Liners (back)
- Full glass inner door
- Heat reflective glass

Programmes/functions

- 5 cooking functions:
3D hot air, full width variable grill, hot air grilling,
conventional top and bottom heat, bottom heat
- Fast heat

Performance/technical information

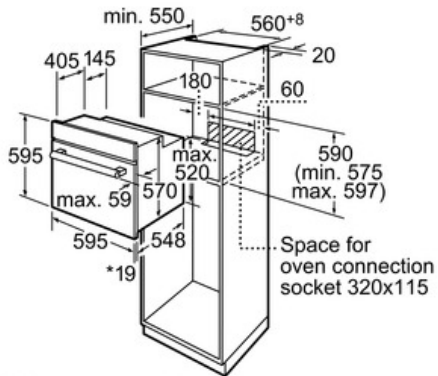
- Oven capacity: 67 litre
- Energy efficiency class: A-20%

Standard accessories

- Full width enamelled pan
- Wire pan insert
- 2 wire shelves
- Oven cook book

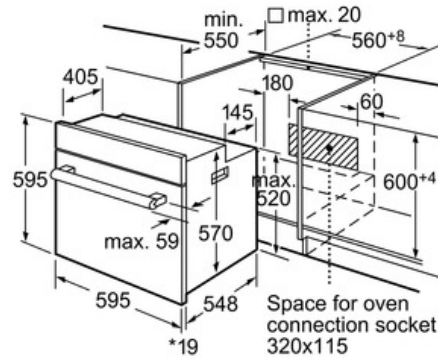
Optional accessory

- 3 level telescopic rails with stop function - HZ338357
- Heat reflective glass

Serie | 6 Ovens
Classixx
**Built-in single multi-function oven
HBA23B150B brushed steel**


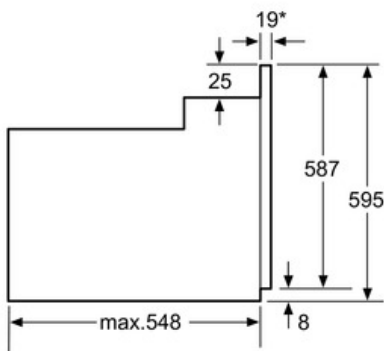
*20 mm for metal fascias

Measurements in mm



*20 mm for metal fascias

Measurements in mm



* 20 mm for metal fascias

Dimensions in mm