

Serie | 6 Ovens
Classixx
**Built-in single 3D hot air oven
HBA13B120B white**

Achieve perfect baking and roasting results on multiple levels simultaneously with this Bosch Hotair oven.

- Our unique 3D Hotair system evenly heats all 3 cooking levels for even cooking results, you don't even have to turn the food.
- This Bosch oven has a white glass front as a brilliant alternative to stainless steel.
- Energy efficiency A (-20%) is 20% more efficient than A rated models without compromising on results.

Technical Data

Color / Material Front :	White
Construction type :	Built-in
Required niche size for installation (HxWxD) :	575-597 x 560 x 550
Dimensions of the product (mm) :	595 x 595 x 548
Control Panel Material :	metal lacquered
Door Material :	Glass
Net weight (kg) :	34.0
Usable volume of cavity (l) :	67
Cooking method first cavity :	Defrost, Full width variable grill, Hot Air, Hot air grilling
First cavity material :	Enamel
Temperature control - cavity 1 :	mechanical
Number of interior lights :	1
Approval certificates :	CE, VDE
Length of electrical supply cord (cm) :	150
Number of cavities (2010/30/EC) :	1
Energy efficiency class (2010/30/EC) :	A
Energy consumption per cycle forced air convection (2010/30/EC) :	0.84
Energy efficiency index (2010/30/EC) :	101.2
Electrical connection rating (W) :	2900
Current (A) :	16
Voltage (V) :	220-240
Frequency (Hz) :	50; 60
Plug type :	no plug

Included accessories

- 2 x combination grid
- 1 x universal pan
- 1 x insert grid


Optional accessories

- HEZ338357 : 3 level telescopic shelf rails,full ext.

Serie | 6 Ovens

Classixx

Built-in single 3D hot air oven HBA13B120B white

Achieve perfect baking and roasting results on multiple levels simultaneously with this Bosch Hotair oven.

Design

- Control panel height 11.5 cm
- Standard control dials
- Push buttons
- Straight bar handle with steel handle fixing blocks
- Black handle fixing blocks
- Horizontal strip door design
- Drop down door

Features

- Electronic clock timer
- Automatic on/off programmer
- 2 fixed controls
- 1 interior light
- Control panel lock
- Smooth enamelled oven interior
- Easy fit shelf support rails
- 5 shelf positions
- Full glass inner door
- Heat reflective glass

Programmes/functions

- 4 cooking functions:
3D hot air, defrost, full width variable grill, hot air grilling

Performance/technical information

- Oven capacity: 67 litre
- Energy efficiency class: A-20%

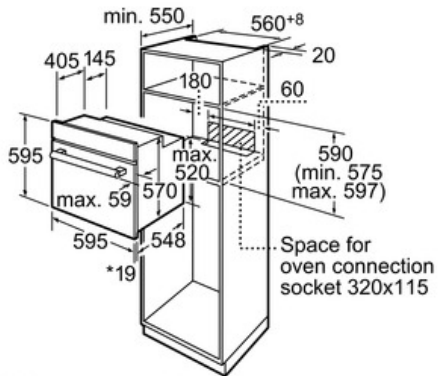
Standard accessories

- Full width enamelled pan
- Wire pan insert
- Wire shelf

Serie | 6 Ovens

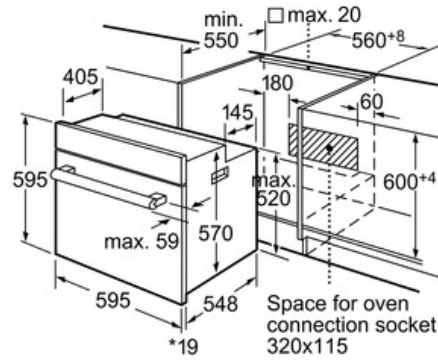
Classixx

Built-in single 3D hot air oven
HBA13B120B white



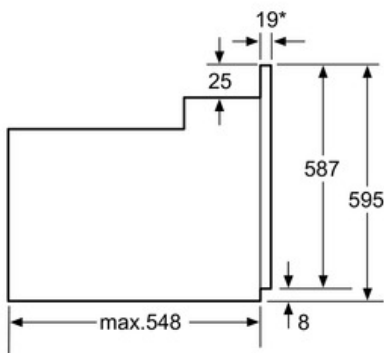
*20 mm for metal fascias

Measurements in mm



*20 mm for metal fascias

Measurements in mm



* 20 mm for metal fascias

Dimensions in mm