



Siemens
GS36DPI20
Free-standing upright freezer

Predecessor:

Successor:

EAN code:
4242003614273

sales programme:

Upright freezer
GS36DPI20
No Frost, Upright freezer

Performance and Consumption

- Energy efficiency class: A+
- Annual energy consumption 279 kWh (per year).
- Total net capacity: 210 litres
- Net freezer capacity: 210 litres
- Net capacity of frost free freezer: 210 l
- Noise level dB(A) re 1 pW: 42

Design features

- Stainless steel fingerprint free door and chrome inox metallic side panels
- stainless steel, Vertical door handle
- Indoor Ice Dispenser
- Ice maker, cubes or crushed ice, with LED light, flush with door, tap connection with Aquastop®, hose 2 m, 3/4"
- Aquastop® with lifetime warranty
- Right hinged door
- Bright interior LED freezer light
- Electronic control (LED display)
- Removable magnetic door seals - easy to clean
- vitaControl - constant temperature by intelligent sensor
- 1 compressor/1 cooling circuit

Food freshness system

- superFreeze function with automatic deactivation
- Active cooling - quick and even temperature distribution on all shelf levels (interior fridge fan)

Key features - Freezer section

- easy door opening with Air Channel System
- 1 bigbox - extra space for extra large frozen food
- No Frost, never have to defrost ever again
- Number of freezer flaps: 2
- 5 transparent freezer drawers, 1 bigbox
- Calendar frozen food
- 4 star freezer rating
- VarioFreezing - adaptable storage for more flexibility
- Freezing capacity in 24 hours: 16 kg
- Maximum freezer storage time in power failure: 17 hours

Functions

- Freezer malfunction warning signal: Optical and acoustic malfunction alarm system

Dimension and installation

- door opening angle 90°
- Transportation handles
- Height adjustable feet in the front
- Climate class SN-T (suitable for ambient temperatures between 10 to 43°C)
- Connection value 90 W

Included accessories

3 x cold accumulator

Optional accessories

Technical Data

Characteristics

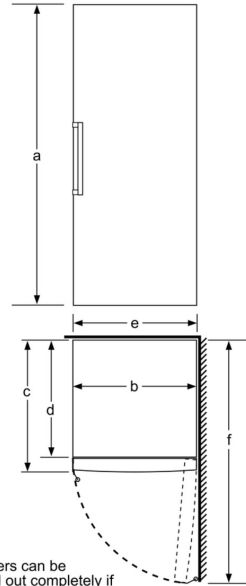
Product category : Upright freezer
Built-in / Free-standing : Free-standing
Door panel options : Not possible
Frost free system : Freezer
Height of the product (mm) : 1870
Width of the product (mm) : 600
Depth of the product : 650
Net weight (kg) : 87.000
Gross weight (kg) : 89.000
Connection Rating (W) : 90
Current (A) : 10
Frequency (Hz) : 50
Approval certificates : VDE
Length electrical supply cord (m) : 230.0
Door hinge : Right
Storage Period in Event of Power Failure (h) : 17
Color / Material body : Chrome
Inox-metallic
Lockable door : No
Number of drawers/baskets (Stck) : 5
Number of freezing flaps (Stck) : 2
Thermometer freeze section : Digital
Light : Yes

Consumption and connection features

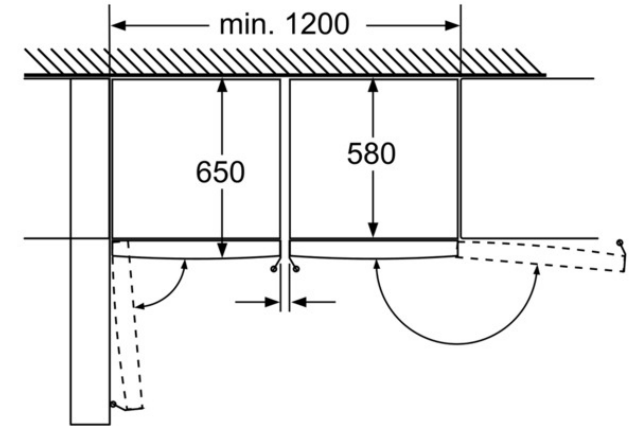
Brand : Siemens
Product name / Commercial code : GS36DPI20
Product category : Upright freezer
Energy efficiency class - NEW (2010/30/EC) : A+
Energy consumption annual (kWh/annum) - NEW (2010/30/EC) : 279
Freezer Net capacity (l) - NEW (2010/30/EC) : 210
Frost free system : Freezer
Temperature rise time (h) : 17
Freezing capacity (kg/24h) - NEW (2010/30/EC) : 16
Climate class : SN-T
Noise level (dB(A) re 1 pW) : 42
Installation typology : N/A

Alternative colors available

Upright freezer
GS36DPI20
 No Frost, Upright freezer



Drawers can be pulled out completely if the appliance is placed directly on a wall.



Drawers can be pulled out completely if the appliance is placed directly on a wall.

measurements in mm

	a	b	c	d	e	f
KSW36, GSD36	187					
KSV36, KSF36, GSN36, GSV36	186					
KSV33, GSN33, GSV33	176	60	65	58	60	119.5
KSV29, GSN29, GSV29	161					
GSV24	146					
GSN51	161					
GSN54	176	70	78	70	70	142
GSN58	191					

- a Height
- b Width
- c Depth with closed door w/o handle and w/o distance part
- d Depth of cabinet w/o distance part
- e Width with open door w/o handle
- f Depth with open door w/o handle w/o distance part

measurements in cm