



Features

- 2 x 40 Watt lamps
- 2 metal grease filter cassettes

Design

- 60 cm wide
- For wall mounted installation
- Switch control operation
- Height adjustable

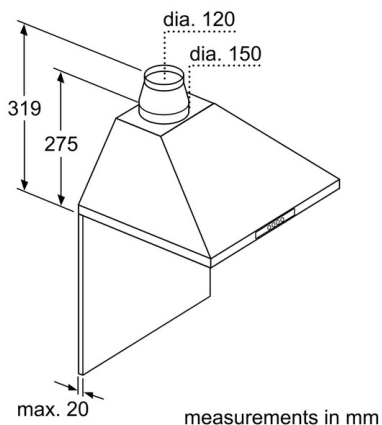
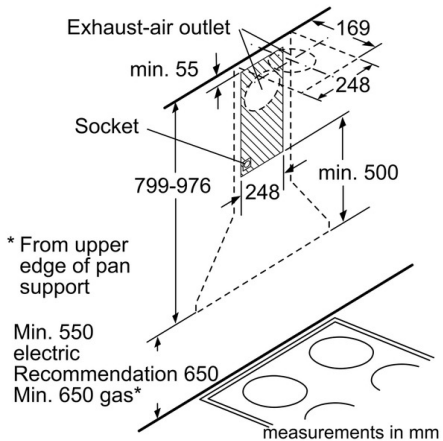
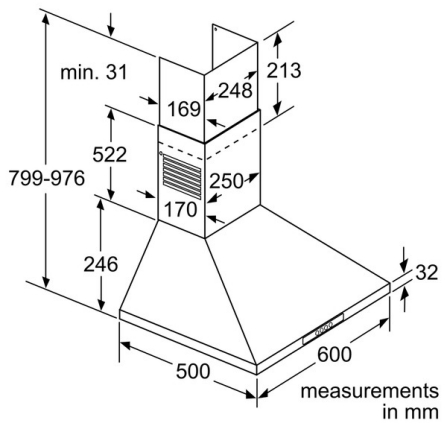
Performance/technical information

- Suitable for ducted extraction and recirculation
- Extraction rate according to EN 61591 max. 400 m³/h
- Noise level according to EN 60704-3 and EN 60704-2-13 at max. normal use exhaust air: 65 dB(A) re 1 pW (51 dB(A) re 20 µPa sound pressure)
- 3 speeds

Optional accessories

- Recirculating kit Z5138X5
- Stainless steel back panel Z5865N0

Series 1
D66B21N0GB
Chimney hood
Stainless steel



Characteristics

Color chimney : Stainless steel
 Typology : Chimney
 Approval certificates : CE, VDE
 Length of electrical supply cord (cm) : 130
 Height of the chimney (mm) : 553-730/573-730
 Height of product, without chimney (mm) : 246
 Minimum distance above an electric hob : 550
 Minimum distance above a gas hob : 650
 Net weight (kg) : 8.0
 Type of control : mechanical
 Number of speed settings : 3
 Maximum output air extraction (m³/h) : 390
 Maximum output recirculating air (m³/h) : 230
 Number of lights (Stck) : 2
 Diameter of air outlet (mm) : 120 / 150
 Grease filter material : Washable synthetic

Consumption and connection features

Connection Rating (W) : 155
 Current (A) : 10
 Voltage (V) : 220-240
 Frequency (Hz) : 60; 50
 Plug type : GB plug
 Installation type : Wall-mounted
 2015-03-27

Alternative colors available

D66B21N0GB:Stainless steel

Optional accessories

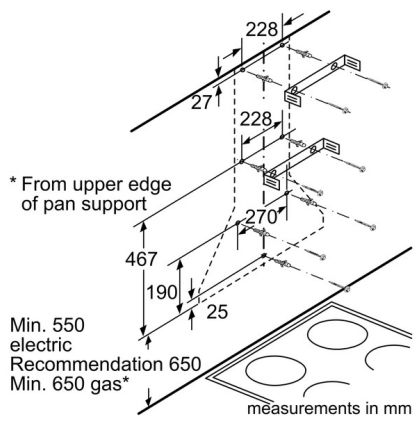
Z5865N0 Stainless steel back panel

EAN code

4242004160724

Series 1

Technical Data 1



Series 1

Technical Data 2