



Series 2
D69S23N0GB
Extra wide chimney hood
Stainless steel

- Features**
- 2 x 40 Watt lamps
 - 2 metal grease filter cassettes
- Design**
- 90 cm wide wall mounted chimney hood
 - Slimline canopy design
 - Push button control operation
 - Height adjustable
- Performance/technical information**
- Suitable for ducted extraction and recirculation
 - Maximum extraction rate 460 m³/h
 - Noise level at maximum normal setting: 51 dB (A); equivalent to 65 dB (A) re 1pW according to EN 60704-2-13
 - 3 speeds

Neff
D69S23N0GB
Chimney hood

Predecessor:

Successor:

EAN code:
4242004117896

sales programme:

Included accessories

Optional accessories

- Z5131X5 Starter set
- Z5861N0 Accessory

Alternative colors available

Technical Data

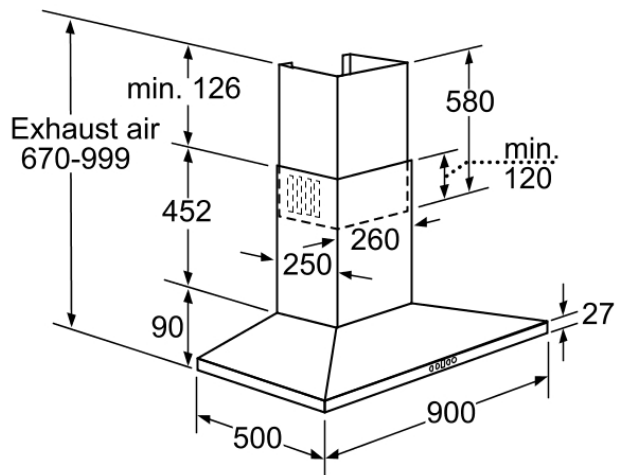
Characteristics

Color chimney : Stainless steel
Typology : Wall-mounted (chimneys)
Approval certificates : CE, VDE
Length electrical supply cord (m) : 130.0
Height of the chimney (mm) : 580-909/580-1010
Height of product, without chimney (mm) : 90
Dimensions of the product, with chimney (if exists) (mm) : 670-1100 x 900 x 500
Net weight (kg) : 21.00
Type of control : mechanical
Number of speed settings : 3-stage
Maximum output air extraction (m3/h) : 460
Maximum output recirculating air (m3/h) : 320
Number of lights (Stck) : 2
Diameter of air outlet (mm) : 150 / 120
Grease filter material : Metal grease filter

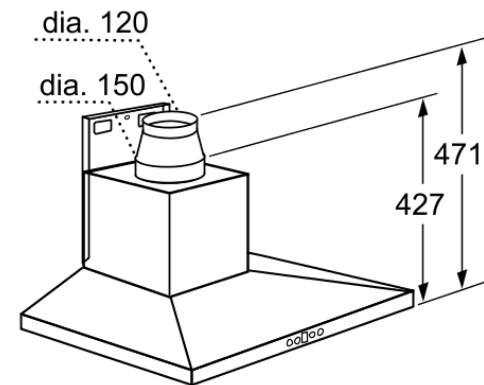
Consumption and connection features

Connection Rating (W) : 250
Voltage (V) : 220-240
Frequency (Hz) : 50
Plug type : GB plug
Installation typology : Wall freestanding

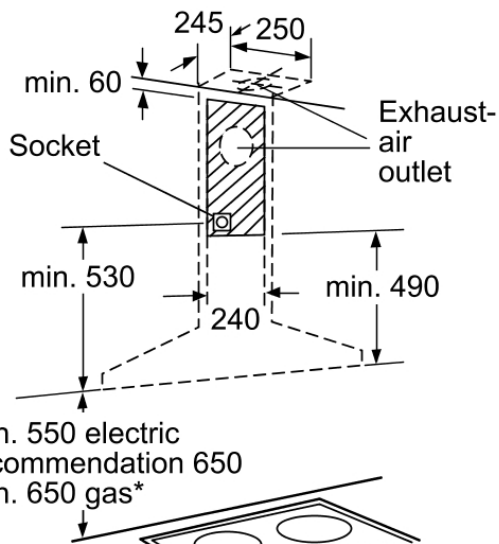
Series 2
 D69S23N0GB
 Extra wide chimney hood
 Stainless steel



Measurements in mm

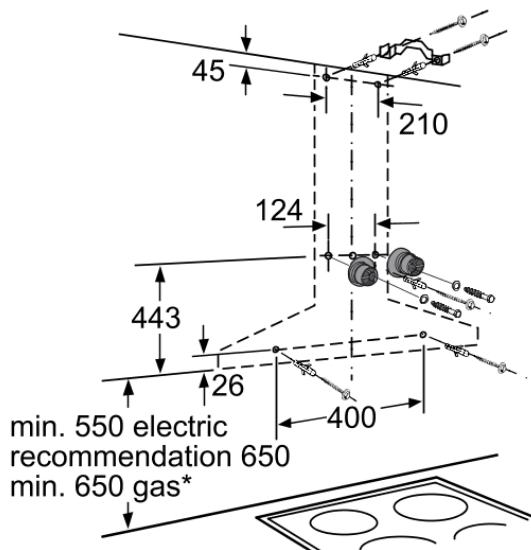


Measurements in mm



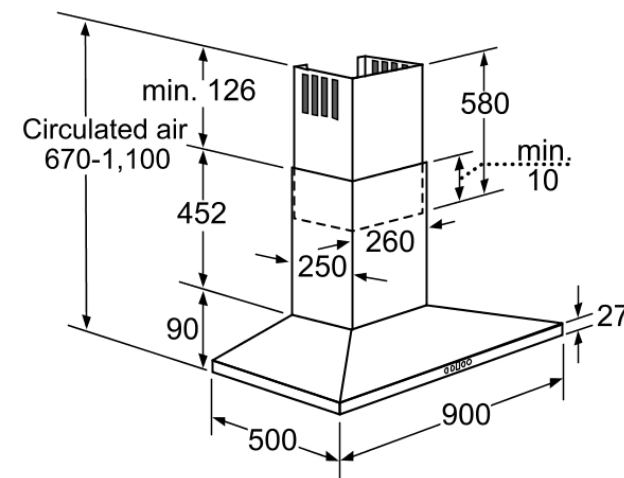
* From upper edge
 of pan support

Measurements in mm



* From upper edge
 of pan support

Measurements in mm



Measurements in mm