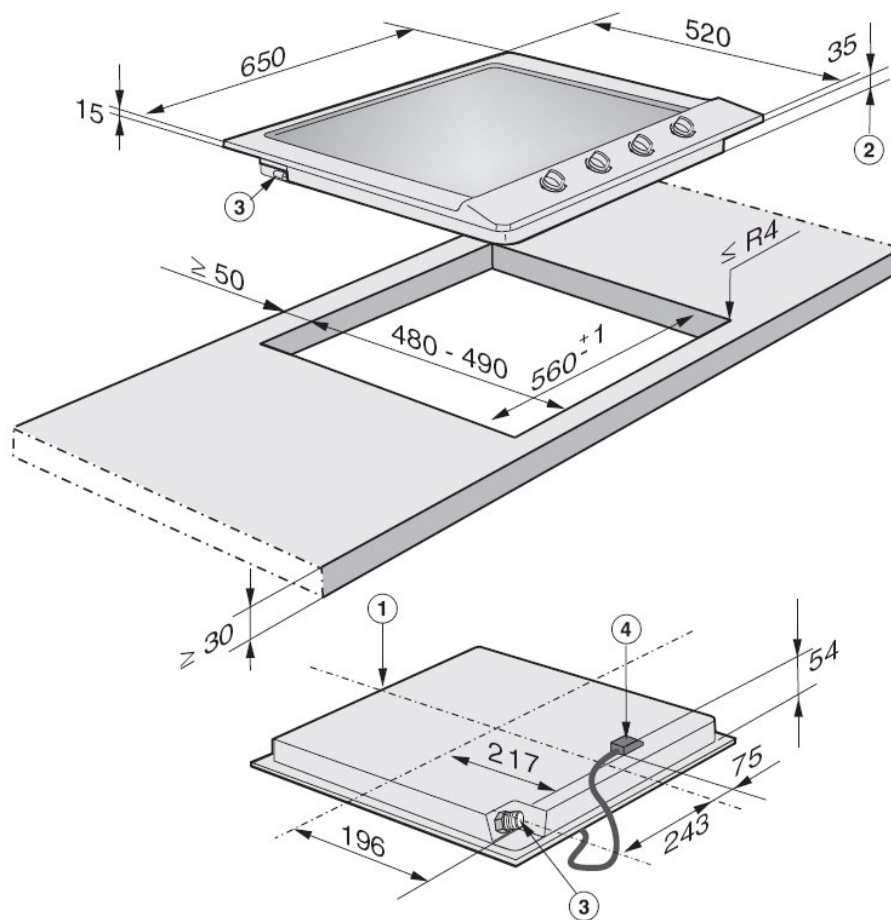


## KM 2010 / KM 2011 / KM 2012 / KM 2013



- ① Front
- ② Building-in depth
- ③ Gas connection R 1/2" ISO 7-1 (DIN2999)
- ④ Mains connection box with mains connection cable, L = 2,000 mm