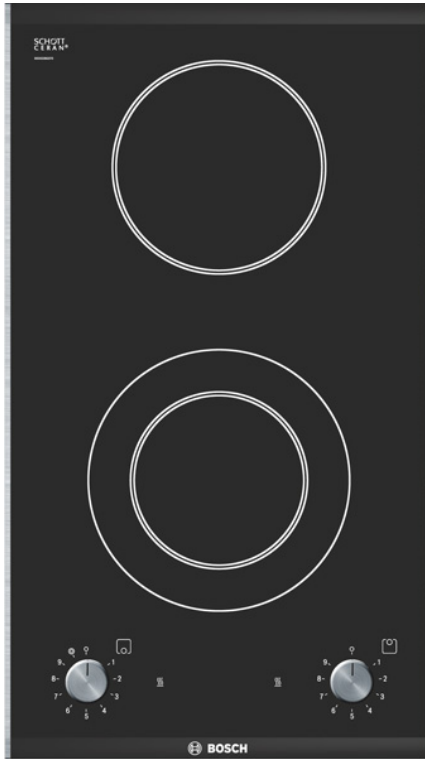




# BOSCH



**Logixx**  
**2 zone Quick-Therm ceramic hob**  
**PKF375V14E brushed steel trim**

**Design**

- 306 mm
- Front controls
- Metal control dials
- Design trim (front facette with side trim)
- Can be installed with a Bosch domino

**Features**

- Variable 9-stage power settings for each zone
- 2 stage residual heat indicator
- 2 zone Quick-Therm hob
- 1 dual/extendable zone

**Optional accessory**

- Connecting strip - HEZ394301

**Included accessories**

**Optional accessories**

- HEZ394301 Connecting strip

**Alternative colors available**

**Technical Data**

**Characteristics**

Product name/family : Vario/Domino  
 cooking zone cera  
 Built-in / Free-standing :  
 CONSTR\_TYPE.Built-in  
 Energy input : Electric  
 Total number of positions that can be used at the same time : 2  
 Required niche size for installation (HxWxD) : 38 x 270 x 490-500  
 Width of the product (mm) : 306  
 Dimensions of the product (mm) : 44.0 x 306 x 527  
 Dimensions of the packed product (HxWxD) (mm) : 115 x 375 x 575  
 Net weight (kg) : 5.00  
 Gross weight (kg) : 5.00  
 Color of surface : Black, Stainless steel  
 Color of frame : Stainless steel  
 Approval certificates : CE, VDE  
 Length electrical supply cord (m) : 100.0

**Consumption and connection features**

Electrical connection rating (W) : 3200  
 Voltage (V) : 220-240  
 Frequency (Hz) : 50; 60

Bosch  
 PKF375V14E  
 Electric cooktop Domino

Predecessor:

Successor:

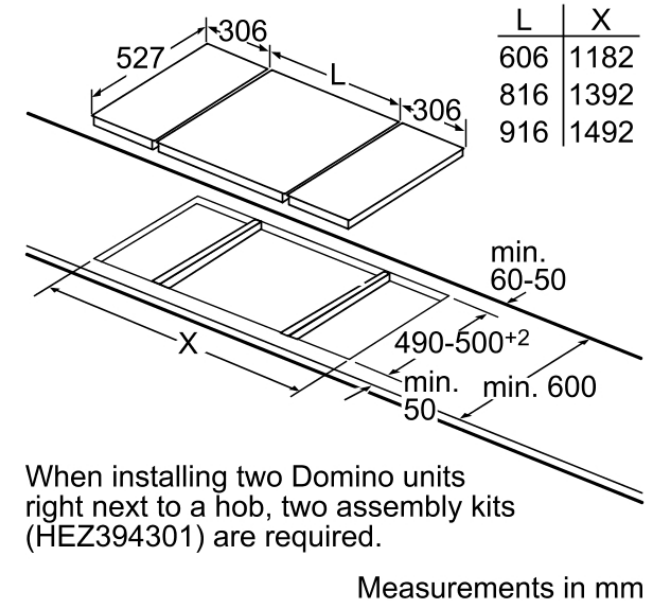
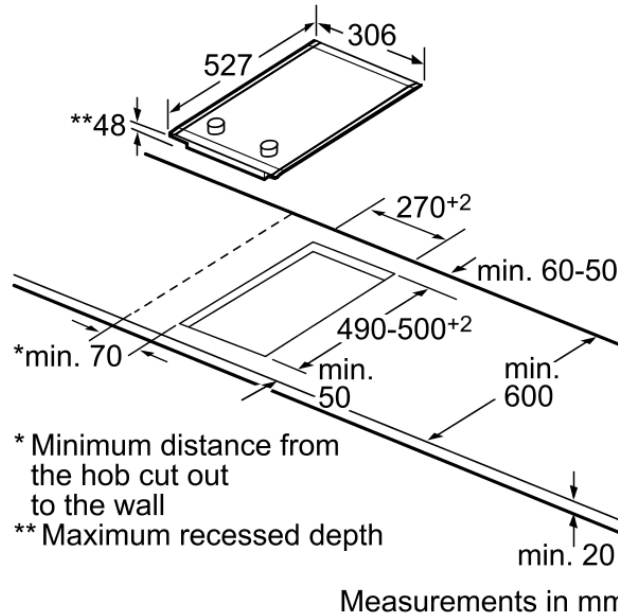
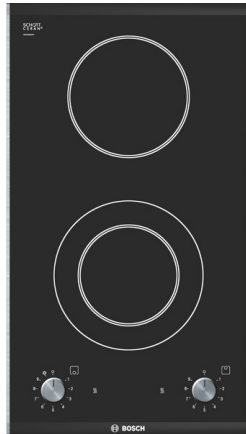
EAN code:  
 4242002473215

sales programme:

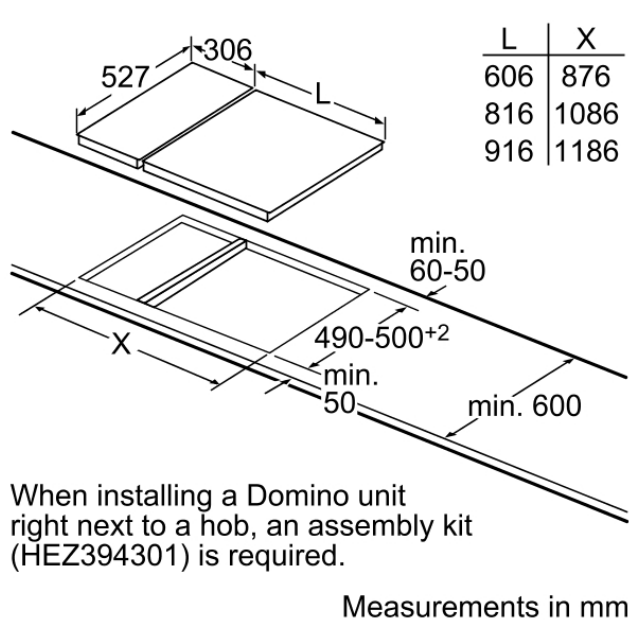


# BOSCH

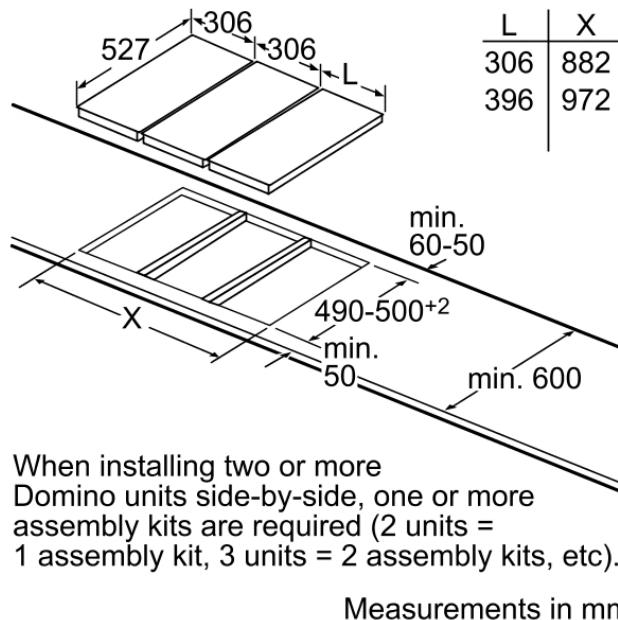
Logixx  
2 zone Qick-Therm ceramic hob  
PKF375V14E brushed steel trim



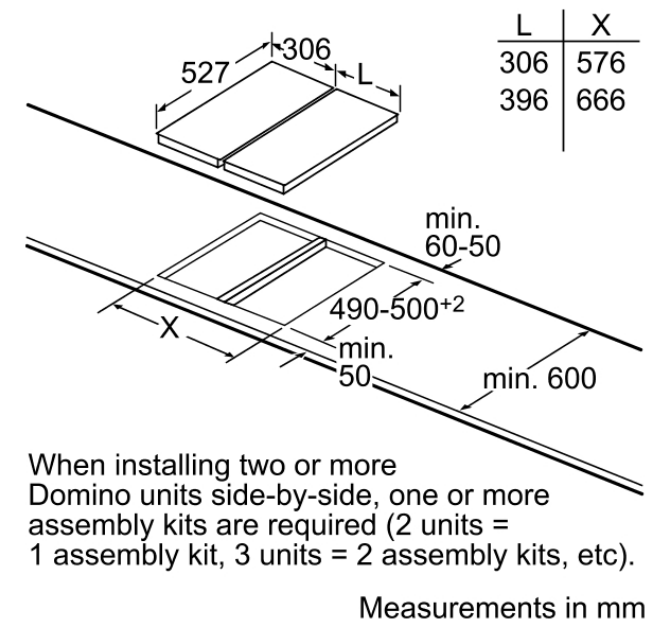
When installing two Domino units right next to a hob, two assembly kits (HEZ394301) are required.



When installing a Domino unit right next to a hob, an assembly kit (HEZ394301) is required.



When installing two or more Domino units side-by-side, one or more assembly kits are required (2 units = 1 assembly kit, 3 units = 2 assembly kits, etc).

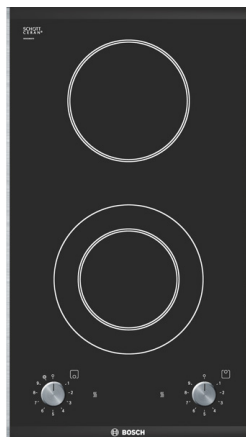


When installing two or more Domino units side-by-side, one or more assembly kits are required (2 units = 1 assembly kit, 3 units = 2 assembly kits, etc).

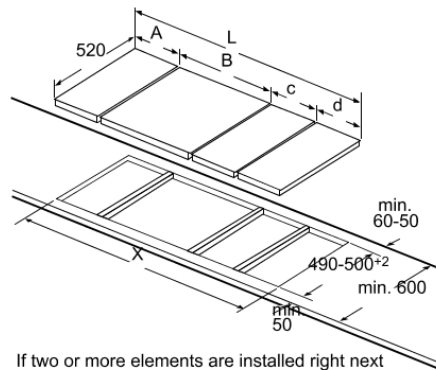


# BOSCH

**Logixx**  
**2 zone Quick-Therm ceramic hob**  
**PKF375V14E brushed steel trim**



Picture for the table Domino combination possibilities with corresponding devices and cutout dimensions



If two or more elements are installed right next to one another, one or several installation kits are required (2 elements 1 installation kit, 3 elements 2 installation kits, etc.).

Cutout dimension (X) depending on the combination see table:

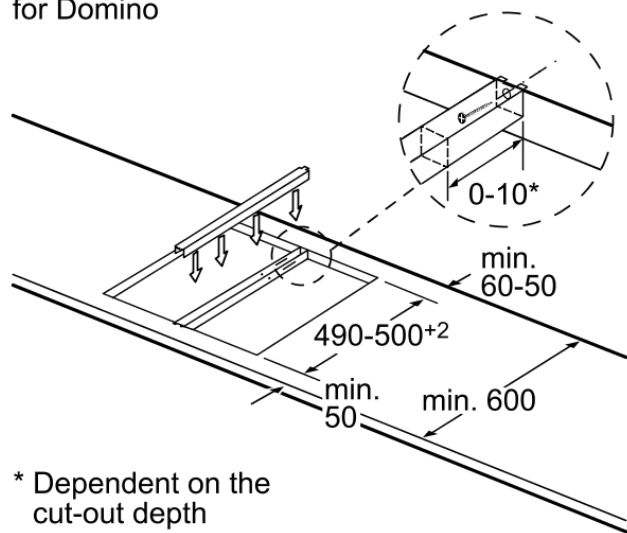
Domino combination possibilities with corresponding device and cutout dimensions

Width type: 30 40 60 70 80 90  
 Device width: 306 396 606 710 816 916

	A	B	C	D	L	X		
2x30	306	306	-	-			612	576
1x30, 1x40	306	396	-	-			702	666
1x30, 1x60	306	606	-	-			912	876
1x30, 1x70	306	710	-	-			1016	980
1x30, 1x80	306	816	-	-			1122	1086
1x30, 1x90	306	916	-	-			1222	1186
2x40	396	396	-	-			792	756
1x40, 1x60	396	606	-	-			1002	966
1x40, 1x70	396	710	-	-			1106	1070
1x40, 1x80	396	816	-	-			1212	1176
1x40, 1x90	396	916	-	-			1312	1276
3x30	306	306	306	-			918	882
2x30, 1x40	306	306	396	-			1008	972
2x30, 1x60	306	306	606	-			1218	1182
2x30, 1x70	306	306	710	-			1322	1286
2x30, 1x80	306	306	816	-			1428	1392
2x30, 1x90	306	306	916	-			1528	1492
1x30, 2x40	306	396	396	-			1098	1062
1x30, 1x40, 1x60	306	396	606	-			1308	1272
1x30, 1x40, 1x70	306	396	710	-			1412	1376
1x30, 1x40, 1x80	306	396	816	-			1518	1482
1x30, 1x40, 1x90	306	396	916	-			1618	1582
2x40, 1x60	396	396	606	-			1398	1362
4x30	306	306	306	306			1224	1188
3x30, 1x40	306	306	306	396			1314	1278

Dimensions in mm

Assembly kit (HEZ394301)  
 for Domino



\* Dependent on the cut-out depth

Measurements in mm