



BOSCH



Avantixx

5 burner gas hob with wok style central burner
PCQ715B90E brushed steel

Key features

- 1 wok style burner

Design

- 702 mm
- Front controls
- Stainless steel base

Features

- Variable power levels
- Ignition via control dials
- Flame failure safety device
- 2 cast iron pan support
- 2 piece burners

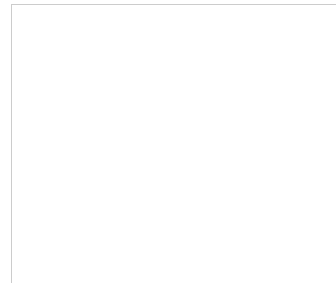
Performance/technical information

- 5 gas burners
- 1 high speed, 2 standard, 1 economy, 1 wok burner
- Front left: Economy burner 1 KW
- Rear left: Standard burner 1.7 KW
- 4 KW Wok burner
- Front right: Standard burner 1.7 KW
- Rear right: High-speed burner 3 KW
- Pre-set for natural gas

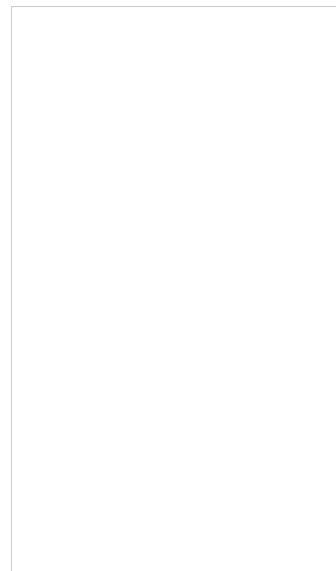
Standard accessory

- LPG jets included. Connection to 28-30/37 mbar bottled gas

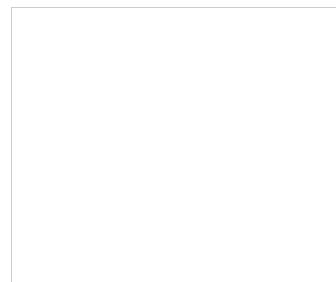
Included accessories



Optional accessories



Alternative colors available



Technical Data

Characteristics

Product name/family : gas hob w integrated controls
 Energy input : Gas
 Total number of positions that can be used at the same time : 5
 Type of control setting devices : cylindrical knobs
 Required niche size for installation (HxWxD) : 45 x 560 x 480-490
 Width of the product (mm) : 702
 Dimensions of the product (mm) : 52 x 702 x 520
 Dimensions of the packed product (HxWxD) (mm) : 140 x 580 x 765
 Net weight (kg) : 14.00
 Gross weight (kg) : 15.00
 Residual heat indicator : without
 Location of control panel : Hob front
 Basic surface material : Stainless steel
 Color of surface : Stainless steel
 Color of frame : Stainless steel
 Approval certificates : CE
 Length electrical supply cord (m) : 100.0

Consumption and connection features

Electrical connection rating (W) : 1
 Gas connection rating (W) : 11400
 Current (A) : 3
 Voltage (V) : 220-240
 Frequency (Hz) : 60; 50

Bosch
 PCQ715B90E
 Gas hob

Predecessor:

Successor:

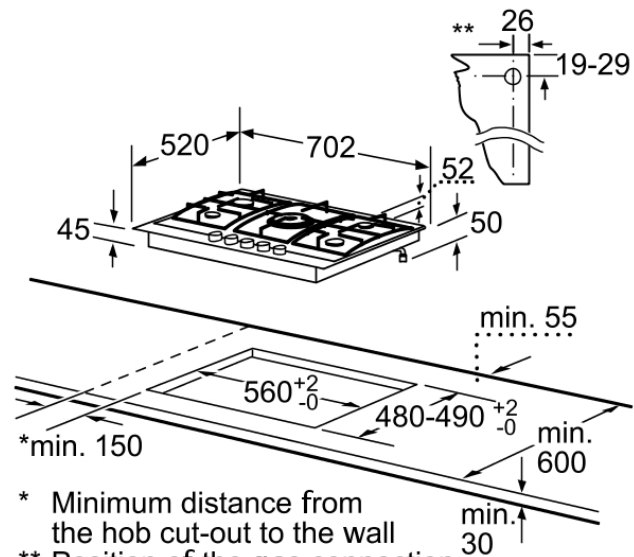
EAN code:
 4242002488134

sales programme:



BOSCH

Avantixx
5 burner gas hob with wok style central burner
PCQ715B90E brushed steel



- * Minimum distance from the hob cut-out to the wall
- ** Position of the gas connection in the cut-out

Measurements in mm