



# BOSCH



**Avantixx**  
**Built-under double hot air oven**  
**HBN13B251B brushed steel**

**Design**

- Control panel height 96mm
- Single display window
- Standard control dials
- Touch control
- Straight bar handle
- Black handle fixing blocks
- U-shape glass on metal door design
- Full width door with side strip design
- Drop down door

**Main lower oven**

**Features**

- Electronic clock timer
- Automatic on/off programmer
- 1 retractable control dial
- 1 interior light
- Safety lock
- Smooth enamelled oven interior
- Easy fit shelf support rails
- 3 shelf positions
- Catalytic back liner
- Full glass inner door
- Heat reflective glass

**Programmes/functions**

- 2 cooking functions
- 3D hot air, defrost

**Performance/technical information**

- Oven capacity: 50 litres
- A energy class

**Secondary top oven**

**Features**

- 2 retractable control dials
- 1 interior light
- Smooth enamelled oven interior
- Easy fit shelf support rails
- 2 shelf positions
- Catalytic back and roof liners
- Full glass inner door
- Heat reflective glass

**Programmes/functions**

- 2 cooking functions:
- full width variable grill, conventional top and bottom heat

**Performance/technical information**

- Oven capacity: 30 litres

**Included accessories**

2 x combination grid, 1 x universal pan,  
1 x insert grid

**Optional accessories**

**Alternative colors available**

HBN13B261B:Black  
HBN13B221B:White

**Technical Data**

**Characteristics**

Color / Material Front : Stainless steel  
 Built-in / Free-standing : Built-in  
 Integrated Cleaning system - cavity 1 :  
 Catalytic partial, easy to clean enamel  
 Dimensions of the product (mm) : 717 x  
 595 x 550  
 Dimensions of the packed product  
 (HxWxD) (mm) : 800 x 660 x 690  
 Control Panel Material : Stainless steel  
 Door Material : Glass  
 Net weight (kg) : 45.00  
 Usable volume of cavity (l) : 33  
 Cooking method first cavity :  
 Conventional heat, Full width variable  
 grill  
 First cavity material : Enamel  
 Temperature control - cavity 1 :  
 mechanical  
 Number of interior lights : 1  
 Approval certificates : CE, VDE

**Consumption and connection features**

Energy consumption conventional  
 (kWh) - cavity 1 : 0.79  
 Electrical connection rating (W) : 4900  
 Current (A) : 20  
 Voltage (V) : 240  
 Frequency (Hz) : 50

Bosch  
 HBN13B251B  
 Built-in/-under el. double oven/cooker

Predecessor:

Successor:

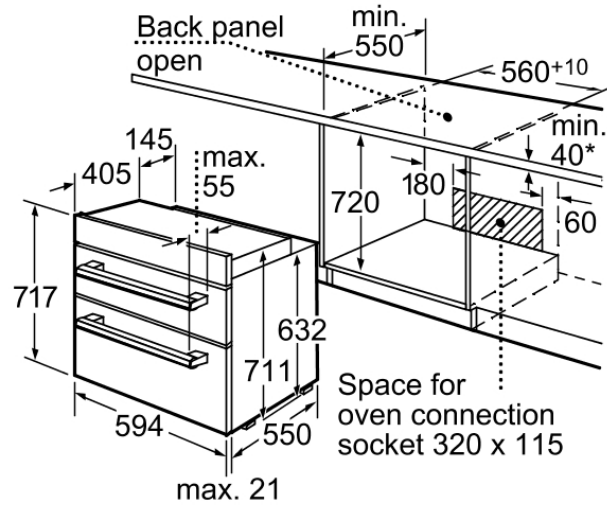
EAN code:  
 4242002498768

sales programme:



# BOSCH

Avantixx  
Built-under double hot air oven  
HBN13B251B brushed steel



\* For installation under an induction hob min. 50 mm

Measurements in mm