



# BOSCH



**Avantixx**  
**Built-in double hot air oven**  
**HBM13B251B brushed steel**

**Design**

- Control panel height 115mm
- Single display window
- Standard control dials
- Touch control
- Straight bar handle
- Black handle fixing blocks
- Full width door with side strip design
- Drop down door

**Main lower oven**

**Features**

- Electronic clock timer
- Automatic on/off programmer
- 1 retractable control dial
- 1 interior light
- Safety lock
- Smooth enamelled oven interior
- Easy fit shelf support rails
- 5 shelf positions
- Catalytic back liner
- Full glass inner door
- Heat reflective glass

**Programmes/functions**

- 2 cooking functions
- 3D hot air, defrost

**Performance/technical information**

- Oven capacity: 62 litres
- A energy class

**Secondary top oven**

**Features**

- 2 retractable control dials
- 1 interior light
- Smooth enamelled oven interior
- Easy fit shelf support rails
- 2 shelf positions
- Catalytic back and roof liners
- Full glass inner door
- Heat reflective glass

**Programmes/functions**

- 2 cooking functions:
- full width variable grill, conventional top and bottom heat

**Performance/technical information**

- Oven capacity: 30 litres
- B energy class

**Included accessories**

- 3 x combination grid, 1 x universal pan, 1 x insert grid

**Optional accessories**

- HEZ333000 Professional pan

**Alternative colors available**

- HBM13B221B:White
- HBM13B261B:Black

**Technical Data**

**Characteristics**

Color / Material Front : Stainless steel  
 Built-in / Free-standing : Built-in  
 Integrated Cleaning system - cavity 1 : Catalytic partial, easy to clean enamel  
 Dimensions of the product (mm) : 888 x 595 x 550  
 Dimensions of the packed product (HxWxD) (mm) : 975 x 660 x 690  
 Control Panel Material : Stainless steel  
 Door Material : Glass  
 Net weight (kg) : 48.00  
 Usable volume of cavity (l) : 33  
 Cooking method first cavity : Conventional heat, Full width variable grill  
 First cavity material : Enamel  
 Temperature control - cavity 1 : mechanical  
 Number of interior lights : 1  
 Approval certificates : CE, VDE

**Consumption and connection features**

Energy consumption conventional (kWh) - cavity 1 : 0.79  
 Electrical connection rating (W) : 4400  
 Current (A) : 20  
 Voltage (V) : 240  
 Frequency (Hz) : 50

Bosch  
 HBM13B251B  
 BUILT-IN/BUILT-UNDER  
 COOKER/OVEN

Predecessor:

Successor:

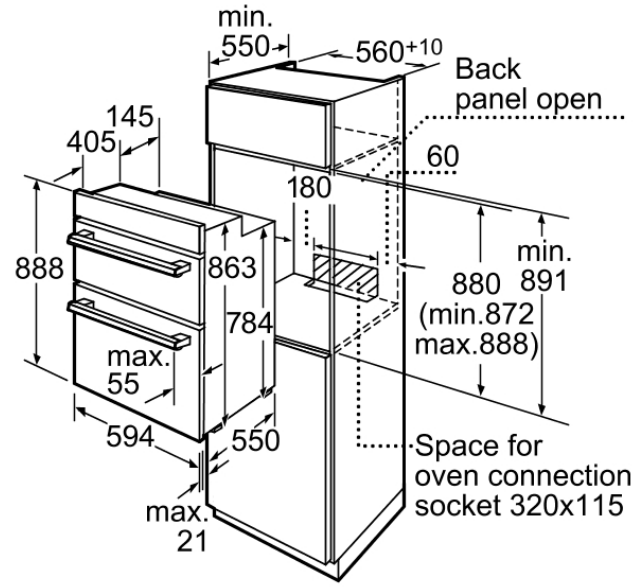
EAN code:  
 4242002498737

sales programme:



**BOSCH**

Avantixx  
Built-in double hot air oven  
HBM13B251B brushed steel



Measurements in mm