



# BOSCH



Bosch  
HBM13B120B  
BUILT-IN/BUILT-UNDER  
COOKER/OVEN

Predecessor:

Successor:

EAN code:  
4242002486062

sales programme:

### Classixx

**Built-in double hot air oven  
HBM13B120B white**

#### Design

- Control panel height 115mm
- Single display window
- Standard control dials
- Touch control
- Straight bar handle
- Black handle fixing blocks
- Horizontal strip door design
- Drop down door

#### Main lower oven

##### Features

- Electronic clock timer
- 1 fixed control
- 1 interior light
- Safety lock
- Smooth enamelled oven interior
- Easy fit shelf support rails
- 5 shelf positions
- Full glass inner door
- Heat reflective glass

##### Programmes/functions

- 2 cooking functions  
3D hot air, defrost

##### Performance/technical information

- Oven capacity: 62 litres
- A energy class

#### Secondary top oven

##### Features

- 2 fixed controls
- 1 interior light
- Smooth enamelled oven interior
- Easy fit shelf support rails
- 2 shelf positions
- Full glass inner door
- Heat reflective glass

##### Programmes/functions

- 2 cooking functions:  
full width variable grill, conventional top and bottom heat

##### Performance/technical information

- Oven capacity: 30 litres
- B energy class

##### Standard accessories

- Full width enamelled pan
- Wire pan insert

### Included accessories

3 x combination grid, 1 x universal pan,  
1 x insert grid

### Optional accessories

- HEZ333000 Professional pan

### Alternative colors available

HBM13B150B:Stainless steel  
HBM13B160B:Black

### Technical Data

#### Characteristics

Color / Material Front : White  
 Built-in / Free-standing : Built-in  
 Integrated Cleaning system - cavity 1 :  
 easy to clean enamel  
 Dimensions of the product (mm) : 888 x  
 595 x 550  
 Dimensions of the packed product  
 (HxWxD) (mm) : 975 x 660 x 690  
 Control Panel Material : Metal  
 Door Material : Glass  
 Net weight (kg) : 47.00  
 Usable volume of cavity (l) : 33  
 Cooking method first cavity :  
 Conventional heat, Full width variable  
 grill  
 First cavity material : Enamel  
 Temperature control - cavity 1 :  
 mechanical  
 Number of interior lights : 1  
 Approval certificates : CE, VDE

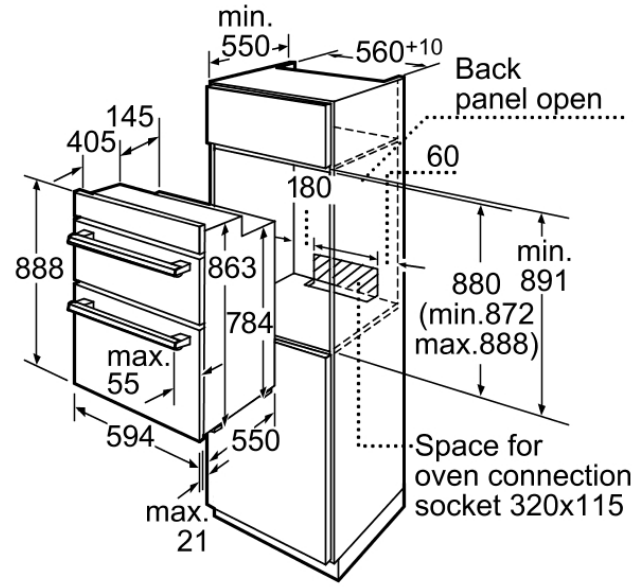
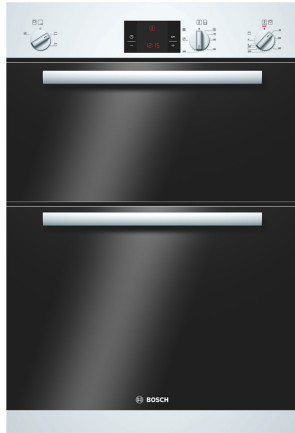
#### Consumption and connection features

Energy consumption conventional  
 (kWh) - cavity 1 : 0.79  
 Electrical connection rating (W) : 4400  
 Current (A) : 20  
 Voltage (V) : 240  
 Frequency (Hz) : 50



# BOSCH

**Classixx**  
**Built-in double hot air oven**  
**HBM13B120B white**



Measurements in mm